



FALL SHIELD™

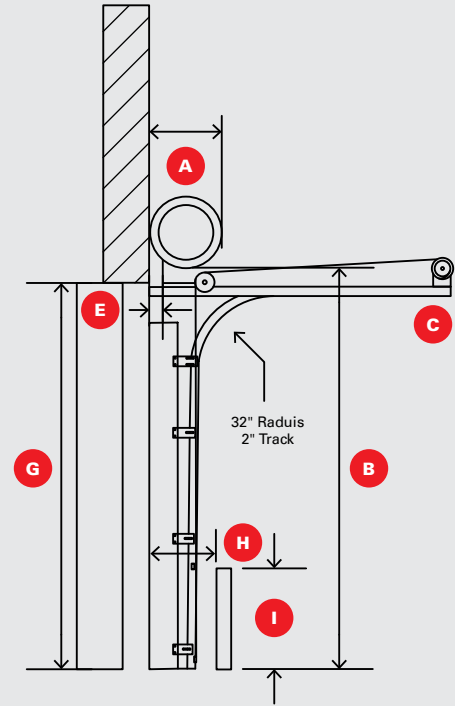
STANDARD LIFT BEHIND ROLLING
SHORTER THAN OPENING

COMPANY		PREPARED BY	
EMAIL		PHONE NUMBER	
ADDRESS			
CITY		STATE	ZIP
PURCHASE ORDER NUMBER		DATE REQUIRED	QTY
TAG			
SPECIAL INSTRUCTIONS (Please note if this is for a quote)			

- A** Distance to Back of Roll: _____ in
- B** Floor to Bottom of Roll Distance: _____ ft _____ in
- C** Rasco Door Track Size Needed: 2 in 3 in
(2" is recommended as it has a 32" radius to accommodate the unusually tall sections. Top section may lean back for tall application and track may stay in opening for too short.)
- D** Required Fall Shield Height: _____ ft
(Minimum 4 ft)
- E** Panel Finish, Select One:
 Powder Coat Yellow
 Mill Finish
 Custom Color _____
- F** Depth of Existing Guide: _____ in
- G** Opening Width: _____ ft _____ in
- H** Opening Height: _____ ft _____ in
- I** Distance of Bollards from Wall: _____ in
- J** Bollard Height: _____ in
- K** Is the Rasco door to be motorized? Yes No
- L** Can you keep existing chains clear? Yes No
- M** Width Outside to Outside of Guide: _____ ft _____ in
(This is **NOT** the opening size)

✉ EMAIL SURVEY FORM TO RASCO

DOOR SIDE VIEW



NOTES: A torsion bar support is required on all doors 10' or wider.
The Rasco door has outside pull brackets/cables.

DOORTOP ABOVE

