



# FALL SHIELD™

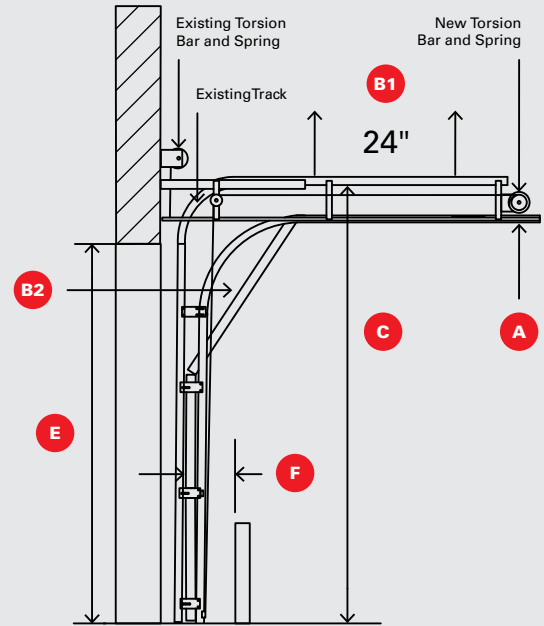
STANDARD LIFT  
DUAL TRACK

COMPANY		PREPARED BY	
EMAIL		PHONE NUMBER	
ADDRESS			
CITY		STATE	ZIP
PURCHASE ORDER NUMBER		DATE REQUIRED	QTY
TAG			
SPECIAL INSTRUCTIONS (Please note if this is for a quote)			

- A** Is there any interference for new track?  Yes  No
- B** Select One:
  - High lift the existing track 23 in
  - Allow chain link top panel to lean away from header
- C** Floor to Existing Horizontal Track: \_\_\_\_ ft \_\_\_\_ in
- D** Opening Width: \_\_\_\_ ft \_\_\_\_ in
- E** Opening Height: \_\_\_\_ ft \_\_\_\_ in
- F** Distance From Existing Track to Bollard: \_\_\_\_ in
- G** Outside to Outside of Existing Track: \_\_\_\_ ft \_\_\_\_ in
- H** Existing Door Width: \_\_\_\_ ft \_\_\_\_ in
- I** Existing Door Height: \_\_\_\_ ft \_\_\_\_ in
- J** Existing lower track is in good condition:  Yes  No
- K** Existing Track Width:  2 in  3 in
- L** Rasco door to be motorized:  Yes  No
- M** Required Fall Shield Height: \_\_\_\_ ft  
(Minimum 4 ft)
- N** Panel Finish, Select One:
  - Powder Coat Yellow
  - Mill Finish
  - Custom Color \_\_\_\_\_
- O** Rasco Door Track Size:  2 in  3 in  
(2" is recommended as it has a 32" radius to accommodate the unusually tall sections.)

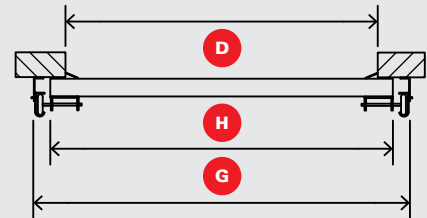
✉ EMAIL SURVEY FORM TO RASCO

## DOOR SIDE VIEW



**NOTES:** A torsion bar support is required on all doors 10' or wider.  
Switch track cannot be used if existing door has outside pull cables or has TKO, Workhorse or Barcol type tracks.  
The Rasco door has outside pull brackets/cables.

## DOORTOP ABOVE



## TRACKTOP DETAIL

